

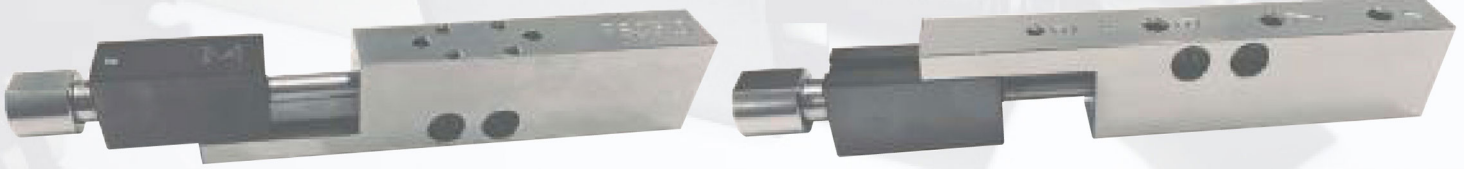
FS3510 Vacuum Cylinder Gripper

3mm Buffer/5mm Cylinder Dia/10mm Travel/M5 for Suction Cup Screw

Product Description

Top

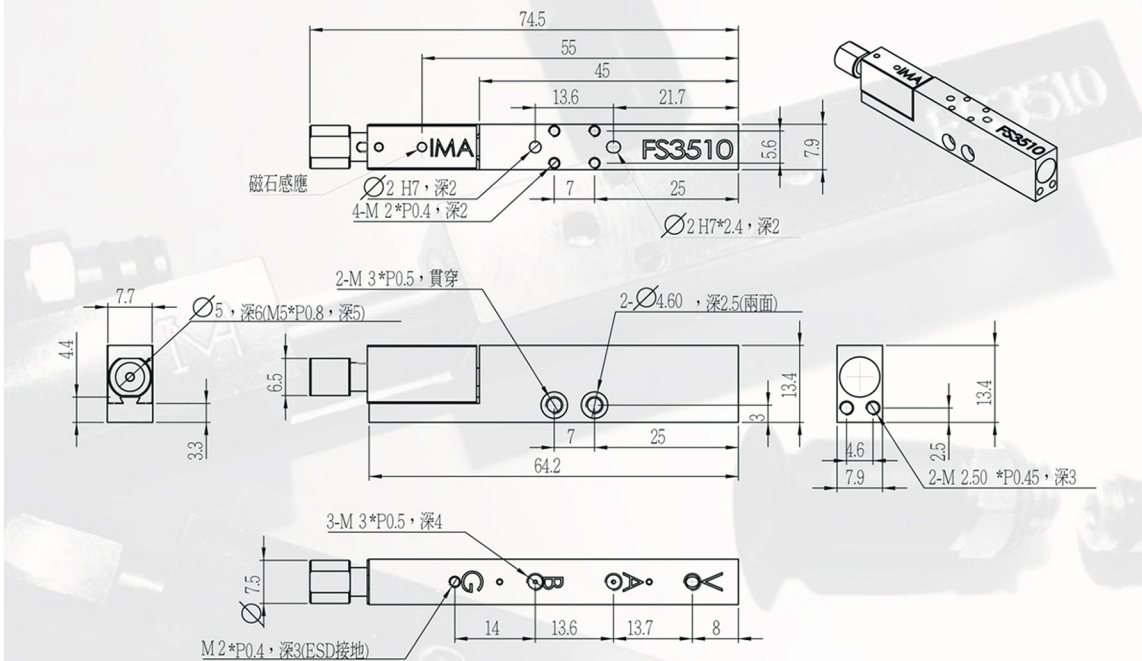
Bottom



Product Features

Our vacuum cylinder gripper for pick/place: testing/assembly/sorting is the smallest and lightest and most economical in the market place. It doesn't need a speed control valve and can be installed in multiple directions. Sold in sets of 12, 24, and 36 with interchangeable multi-sizes of suction cups(1,2,4,6,8,10mm) for replacement or for switching out for different place/pick work pieces. We also offer individual ones as spares/replacements. Precision-made tool!

Dimensions



Marlin & Sons
Catch the best!

Marlin & Sons Co.

Liaoning Rd., Sec. 1, Lane 160, #20, 10F

Taichung, Taiwan 40652 P: 8864-2249-3490 F: 8864-2249-2446

E:marlinauto@bbluesman.com W: bbluesman.com/tech